



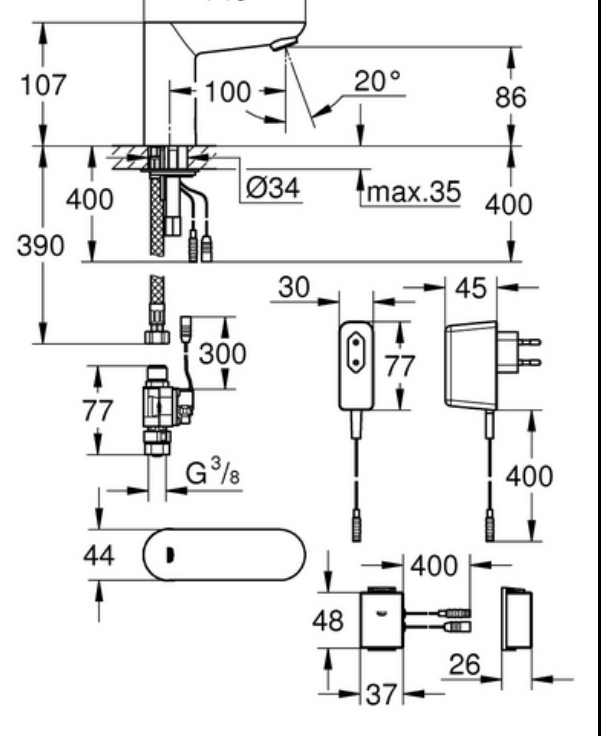
PROJECT		REF		REV	ITEM CODE	
LOCATION		DATE			PAGE	

SANITARY WARE SPECIFICATION SHEET

Item Descriptions	GROHE (Germany) "Euroeco Cosmopolitan E Bluetooth" Chrome plated 3/8" infrared electronic basin mixer (230 V) with 1 no. of flexible hose in AC Supply; nominated flow rate 4.9 L/min in WELS Grade 1; Registration No. TN 21-0005
Dimensions	L140 x W44 x H107 mm
Model	36409000
Finish / Material	Chrome Plated
Country of origin	Germany
Manufacturer	GROHE Limited
Supplier	Acme Sanitary Ware Co. Ltd Mr. Eric Wong/ Mr. Don Yuen
Contact Tel/Fax	(852) 2388-7171 / (852) 2710-8012
E-mail	acme@acmesanitary.com.hk
Website	www.acmesanitary.com.hk

Illustration/ Drawing

<p>"Euroeco Cosmopolitan E Bluetooth" 3/8" infrared electronic basin mixer with 1 no. of flexible hose in AC Supply</p> <ul style="list-style-type: none"> with infrared sensor and Bluetooth module for bi-directional communication for monitoring, configuration and service purpose with plug transformer 100-240 V AC, 50-60 Hz, 6.75 V DC rapid installation system GROHE StarLight finish GROHE EcoJoy mousseur 5.7 l/min external solenoid valve dirt strainer with Bluetooth® 4.0* for wireless data communication for Apple** and Android devices Bluetooth range (max. 10 m) varies depending on used materials and walls between transmitter and receiver monitoring password protected products app detects all Bluetooth products in range auto flush cycles and timing last auto flush usage per day / 30 days thermal disinfection cycles and timings last disinfection configuration detection range and shut off delay thermal disinfection auto flush 	<ul style="list-style-type: none"> 2 on/off timers identification by name service send and save 3 profiles reset to factory or user settings hard and software version CE approved acoustic group I in accordance with DIN 4109 type of protection faucet IP 59K Mobile devices and GROHE IR Remote App*** are not included in delivery and have to be ordered separately via an authorised Apple store/store/iTunes or Google Play store. * The Bluetooth® word mark and logos are registered trademarks owned by Bluetooth SIG, Inc. and any use of such marks by Grohe AG is under license. Other trademarks and trade names are those of their respective owners. ** Apple, the Apple logo, iPod, iPod Touch, iPhone and iTunes are trademarks of Apple Inc., registered in the U.S. and other countries. Apple is not responsible for the function of this device or its compliance with safety and regulatory standards. *** Available for free via iTunes app or Google Play store.
--	--



Note:

* All information of the above is for the reference only. No prior notice is made if any changes.



PROJECT		REF		REV	ITEM CODE	
LOCATION		DATE			PAGE	

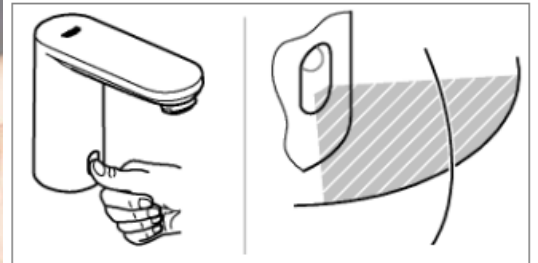
SANITARY WARE SPECIFICATION SHEET



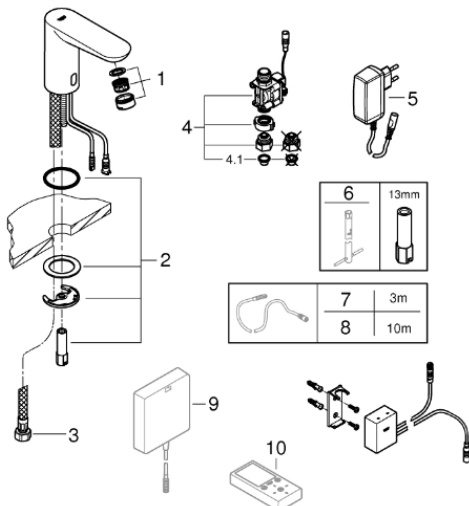
THE REMOTE APP PRODUCTS WITH BLUETOOTH® COMMUNICATION

Selected GROHE products (230V) with Bluetooth® communication* boast a special feature: They can communicate with smartphones and tablets over a free downloadable app, making it easier than ever to read out consumption data and set a variety of functions.

In sanitary facilities with several mixers or WC / urinal flushes, the data from all infrared products within range are captured at once and can be read out one after the other. What's more, the draw-off points can be assigned names via the app, making maintenance more systematic.



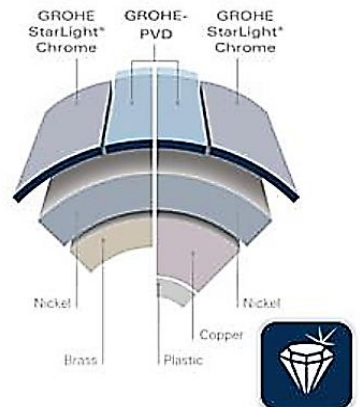
SPARE PART:



Pos.-nr.	Prod. Description	Order-nr.
1	Mousseur	48159000
2	Shank fastening assembly	42389000
3	Connection hose	46255000
4	Solenoid valve	42390000
4.1	Dirt strainer	42395000
5	Mains adaptor	42388000
6	Mounting wrench	19017000*
7	Extension cable	36340000*
8	Extension cable	36341000*
9	Switch-mode power supply	36338000*
10	Remote control	36407001*

* Optional accessories

GROHE StarLight®



GROHE surface hardness

GROHE scratch resistance



Note:

* All information of the above is for the reference only. No prior notice is made if any changes.

註冊號碼 (Registration No.): TN 21-0005



自願參與用水效益標籤計劃 - 水龍頭
Voluntary Water Efficiency Labelling Scheme - Water Taps




茲證明
This is to certify that

將下列水龍頭在本計劃內註冊：
has registered the following water tap under this scheme :

牌子 / Brand	:	Grohe + Neoperl
型號 / Model	:	36409XXX + A5.9042.10010
種類 / Type	:	Non-mixing
原產地 / Country or Region Origin	:	Germany (Tap & Flow Controller)

XXX – denotes the code of colour

在用水效益標籤上展示的標誌 <i>Symbolic Presentation on the Water Efficiency Label</i>	:		滴水點 <i>Water droplet(s)</i>
用水效益級別 <i>Water Efficiency Grade</i>	:	1	with additional merit*
耗水量 <i>Water Consumption</i>	:	1.8	公升/分鐘 <i>litres/minute</i>

*with additional merit of "Automatic closing mechanism"

簽發日期：
Date of Issue: 26 January 2021

 水務署
Water Supplies Department



水務署署長(張業駒代行)
for Director of Water Supplies



Department

七號入境事務大樓 48 樓

48/F, Immigration Tower, 7 Gloucester Road, Wan Chai, Hong Kong

本署檔號 : (4) in WSD 3321/19 T/J(1185/2019)
Our ref.
來函檔號 :
Your ref.

電話 :
Tel.
傳真 : 2824 0578
Fax.

9 March 2020



Approval of "GROHE" Sensor Tap (General Acceptance No. C20200140)

Your letters ref. WRC/2129 and C-WSD/0562 dated 18 December 2019 and 23 January 2020 respectively refer.

Having considered the test reports ref. J24583Ar1 and J24474 issued on 17 January 2020 and 23 October 2019 by Nutek Systems (HK) Ltd., this Authority accepts that the fitting described below complies with, and its use when correctly installed does not contravene, the Waterworks Ordinance and Regulations.


Name of Manufacturer: Grohe AG

Country of Origin: Germany

Brand: Grohe

Details of Fitting: 3/8" Infrared electronic basin tap with 1 no. of flexible hose

Model: 36409XXX
(where the digits "XXX" denote the code of colour)

Body Markings: 



Expiry Date: 16 June 2024

This Authority hereby permits the use of the above fitting in fresh water plumbing systems subject to full adherence to Waterworks installation requirements. In particular, you are required to draw your customers' attention to the following requirement-

"A stop cock or gate valve must be installed at the upstream of the fitting for manual isolation of water supply." AND

"The main voltage operated sensor valve should comply with the electricity safety regulation for applications in bathroom, toilet etc."

A condition of this acceptance is that the fitting to be installed shall be replicas of the sample as certified by the testing agent mentioned above and without modifications. This acceptance may be withdrawn at any time if the standard of the fitting installed fail to meet that of the approved sample or if the fitting is found to be unsuitable for use in fresh water plumbing systems.

This acceptance is only applicable to the main body of the fitting, unless otherwise specified.

For the use of the fitting in any project, the General Acceptance Number of this letter must be quoted as a means of identification of acceptance of the fitting by this Authority.

Should you have any enquiries, please contact our Engineer Mr. Terry KUNG at tel. no. 3583 4086.

Yours faithfully,



(CHAN Chung-kun)

for Director of Water Supplies

Encl.

c.c. WSD 3321/1/82] - without catalogue
ME/MC] - with soft copy only